

HEAVY DUTY 4-POST VEHICLE LIFTS

ST 4175 - ST 4250

Capacity 50,000 - 66,000 lbs.

KOMI

sterfil



STERFIL
SUPERIOR SOLUTIONS

Superior Solutions



The Stertil group provides customized and technically advanced solutions for heavy-duty lifting requirements for customers throughout the world, including the best possible service from skilled local partners.

These superior solutions are conceived, developed and implemented by a team of professional specialists with unique expertise. Thanks to the quality of its people, its entirely in-house production and its international organization, Stertil is the world's number one producer of heavy-duty vehicle lifts.

Stertil-Koni ST 4175 ST 4250



Optimum accessibility for the vehicle and the mechanic

Thanks to the lifting height of 75", the adjustable platforms and the unique design without any crossbeams, the mechanic has unrestricted access to the vehicle and an optimum working environment, allowing him to work comfortably in an upright position. Equipment such as a pit jack, axle supports or a gearbox jack can be put in place and used easily.

Innovative designs for maximum flexibility

Using the ST 4175 and ST 4250 four-post lifts, Stertil-Koni's specialists have designed a superior solution for the heavy-duty vehicle sector, with lifting capacities of up to (2x) 66,000 lbs. It stands out not only for the powerful and reliable lifting technology, but also for its innovative design. This design has a number of unique features: the very low drive-on height and the complete absence of any crossbeams. This means that the ST 4175 and the ST 4250 offer the greatest possible flexibility for working on heavier vehicles. The separation between the platforms can be adjusted easily to suit the platform width of the vehicle being lifted so that you can get the ideal configuration. The working space in the workshop is then utilized as economically as possible.



Superior technology

The hydraulic system is electronically controlled. This ensures a smooth lifting and lowering cycle, even in the event of an extremely uneven load distribution of the vehicle. With the absence of wear-susceptible parts (eg ropes and pulleys) maintenance is reduced to a minimum. Other innovative features are the programmable lifting height, impact-resistant LED lights that switch on and off automatically just above floor level and a warning signal for foot protection.

Rapid lifting

The ST 4175 and ST 4250 have a lifting time of 70 seconds and 95 seconds respectively, which makes these powerful 4-post lifts some of the quickest in the world in their class.

Maximum safety

The Stertil-Koni ST 4175 and the ST 4250 meet the most stringent safety requirements in the world. The CE (Europe), ALI-ETL (USA) and CSA (Canada) hallmark is standard.

Flexible installation width

The absence of any crossbeams between the platforms allows the ideal width to be set at the time of installation, ensuring easy access for personnel and for axle stands, transmission jacks etc. The platforms can be adjusted on both sides. This significantly extends the working range of the lift.

Very low drive-on height



Very low drive-on height

The wide platforms have an extremely low drive-on height. This means that low ground clearance vehicles can also drive on easily. The standard approach ramps have a unique and ingenious design and are not an obstruction during work.

Durability

The Stertil-Koni ST 4175 and ST 4250 have been designed for a long, problem-free life. They have been designed and tested for a least 50,000 lifts under maximum load.

Economic electricity consumption

Microprocessor controlled hydraulics and high efficiency electric motors give outstanding performance and have very low energy consumption.

User-friendly operation

These heavy-duty 4-post lifts are easy to operate. The control panel is equipped with hold to run low voltage push buttons. The control system has a numerical on-board self-diagnostic program providing information about the system status.

Unique lifting height

Since the lifting height is 75", tall people can also work under the vehicle while standing upright. In this way back problems/injuries e.g. can be prevented.



Lifetime guarantee

The innovative synthetic runner wheels within the column come with a lifetime parts guarantee.

Independent safeties

Mechanical: the patented mechanical locking system works entirely independently of the lifting system and is permanently enabled. The mechanical locking, which is activated by gravity alone, guarantees the highest safety levels.

Hydraulic: each lifting cylinder is fitted with an oil flow control valve that is enabled throughout the lifting process. An integrated overpressure valve is fitted as standard to prevent each lifting column from becoming overloaded.

Platform lengths are available in 20, 26, 30, 33 or 38 feet offering maximum flexibility. This allows a very wide range of vehicles to be lifted.

Tandem configuration for articulated vehicles

Stertil's intelligent solution for extra-long lifting problems, e.g. articulated buses or trucks with trailers: simply configure two column lifts in line one behind the other in a tandem configuration with perfectly synchronized operation.

Maximum safety

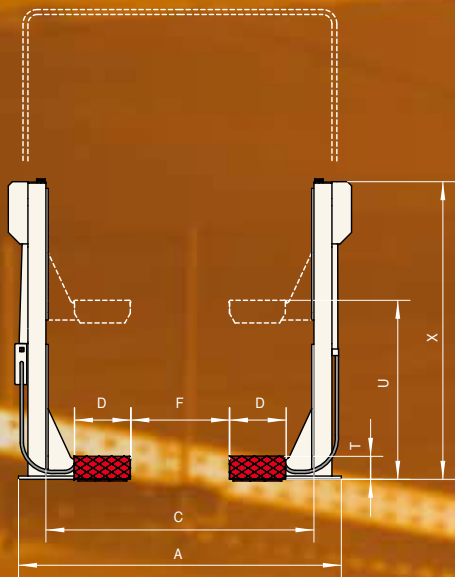


Accessories & Options:

- Axle supports from 18,000 lbs up to 26,500 lbs.
- Jacking beam (for wheel-free maintenance e.g. brakes, suspension, tires)
- Splash proof lighting set IP65
- Short approach ramps (recessed installation)
- Long fixed approach ramps
- Third platform (for lifting three wheel forklifts)
- Custom RAL colors

Maximum safety:

- **ANSI/ALI-ALCTV** certified (United States of America)
- **CSA** certified (Canada)
- **CE** certified (Europe)
- Low voltage control cabinet
- Automatic overload protection
- Independent mechanical locking system
- Microprocessor-controlled tracking system
- Automatic stop when highest position is reached
- Hold-to-run operation
- Emergency switch on every control box
- Splash-proof electrical system (IP65)



Specifications ST 4175

Lifting capacity: 50,000 lbs.
 Lifting system: hydraulic
 Lifting height: 75"
 Lifting time: 70 seconds
 Motor: 4 x 3 hp
 Weight: 9,900 lbs (29'- 6 1/8")

Model	K	L	A	C	D	F	T	U	X
19'-8 1/16"	24'-5 1/2"	20'-3 9/16"	12'-8 1/16"*	10'-7 5/16"*	27'-9/16"	(23'-5/8")* (47'-1/4")*	9 1/16"	6'-3"	11'-10 7/16"
26'-2 3/4"	31'-3/16"	26'-10 1/4"							
29'-6 1/8"	34'-3 9/16"	30'-1 9/16"							
32'-9 7/16"	37'-6 7/8"	33'-4 15/16"							
37'-8 7/16"	42'-5 7/8"	38'-3 15/16"							

* Flexible dimensions, depending on the working width.

Specifications ST 4250

Lifting capacity: 66,000 lbs.
 Lifting system: hydraulic
 Lifting height: 75"
 Lifting time: 95 seconds
 Motor: 4 x 3 hp
 Weight: 12,600 lbs (29'- 5 5/16")

Model	K	L	A	C	D	F	T	U	X
19'-7 11/16"	25'-6 1/8"	20'-3 15/16"	12'-11 7/16"*	10'-9 1/16"*	27'-9/16"	(39'-3/8")* (47'-1/4")*	11 1/4"	6'-3"	11'-11"
26'-2 1/8"	32'-13/16"	26'-10 5/8"							
29'-5 5/16"	35'-4 1/8"	30'-1 15/16"							
32'-9 1/16"	38'-7 1/2"	33'-5 5/16"							
37'-8 1/16"	43'-6 1/2"	38'-4 5/16"							

* Flexible dimensions, depending on the working width.

More information?

For more or specific information about the ST 4175, ST 4250 or one of the other quality products from Stertil-Koni, please contact us for further assistance.



Stertil-Koni U.S.A. Inc.
 200 Log Canoe Circle
 Stevensville, Maryland 21666
 Tel. 410-643-9001
 Toll free 800-336-6637
 Fax 410-643-8901
 www.stertil-koni.com
 lifts@stertil-koni.com

Facebook StertilKoniUSA Twitter @StertilKoniUSA

a member of the Stertil Group